

B3Square 6032

Model number:

420005

Dimensions: 60" x 32" x 4"

Installation:

Material: Acrylic



Standard Features:

- Acrylic rectangular shower base with square or round drain
- 3 in. threshold and smooth floor
- Right, left or back-end drain
- B3Square only: Chrome grid and drain included (ABS or PVC available)
- Grids also available in Dark Bronze or Brushed Nickel

Product characteristics:

- Utile Compatible
- Low Threshold
- Smooth Floor

Warranty:

25 Years

Standard colors:



White (001)



Bone (004)



Biscuit (007)

Certifications

MAAX products adhere to one or more of the following certifications:



Recommended products (Visit our website for a complete list of our recommended products)

No	Description
105412	Polar Sliding Shower Door 54-59 1/2 x 68 in.
134565	Kameleon Sliding Shower Door 55-59 x 71 in. 6 mm
134665	Kameleon SC Sliding Shower Door 55-59 x 71 in. 6 mm

Options (Visit our website for a complete list of our options)

No	Description
<input type="checkbox"/> OPT 20208	PVC drain
<input type="checkbox"/> OPT 20253	ABS drain
<input type="checkbox"/> OPT 20254	PVC drain

B3Square 6032

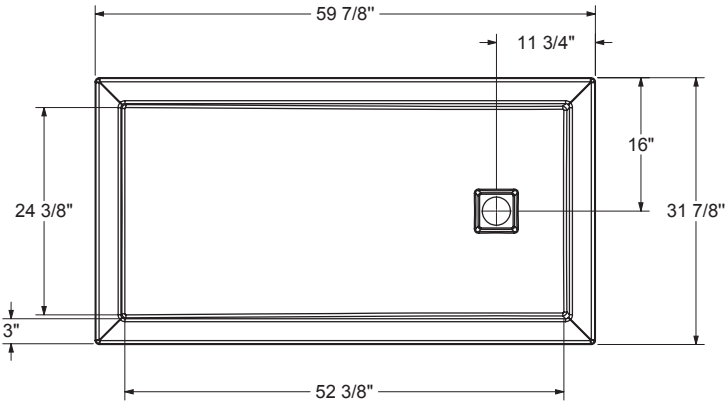
Model number:

420005

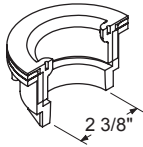
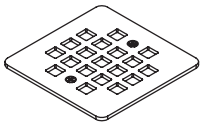
Dimensions: 60" x 32" x 4"

Installation:

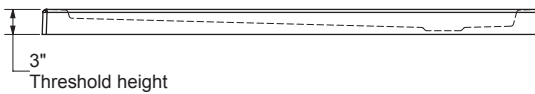
Material: Acrylic



**DRAIN INCLUDED
ON B3 SQUARE ONLY**



1" integrated tiling
flange (not shown)



2 3/8"

This technical drawing is universal for every 6032 configuration.

Integrated tiling flange : 1" height x 1/4" thick (not shown)
Tiling flange position is determined by chosen configuration.

All dimensions are approximate. Structure measurements
must be verified against the unit to ensure proper fit.

Dimensions:

59 7/8 x 31 7/8 x 4 in.
(1521 x 810 x 102 mm)

Weight:

55 lbs (25 kg)

Shape:

Rectangular

Drain location:

Back End

Left

Right

Project:

Contractor:

Representative:

Date:

Tel:

Notes: